



# DEFINITE PURPOSE CONTACTORS 100A Max

Locked Rotor (Per Pole)			HP Single Phase		Full Load	Resistive	UL Part #	List Price	List Price	List Price
AC 240V AC 277V	AC 480V	AC 600V	120V	240V	Amps	Amps	*Add coil suffix	1-10 pcs	11-99 pcs	100+ pcs
<b>1 Pole:</b>							<b>1 Pole</b>			
150	75	50	1	2	30	40	<b>T30A1-*</b>	<b>\$18.00</b>	<b>\$16.00</b>	<b>\$13.00</b>
240	200	160	2	3	40	50	<b>T40A1-*</b>	<b>\$19.00</b>	<b>\$17.00</b>	<b>\$14.00</b>
<b>2 Pole:</b>							<b>2 Pole:</b>			
150	125	100	2	3	30	40	<b>T30A2-*</b>	<b>\$19.00</b>	<b>\$17.00</b>	<b>\$14.00</b>
240	200	150	2	3	40	50	<b>T40A2-*</b>	<b>\$21.00</b>	<b>\$18.00</b>	<b>\$15.00</b>
<b>3 Pole:</b>							<b>3 Pole:</b>			
200	115	95	2	5	30	40	<b>T30A3-*</b>	<b>\$26.00</b>	<b>\$24.00</b>	<b>\$20.00</b>
240	150	120	3	7.5	40	50	<b>T40A3-*</b>	<b>\$26.00</b>	<b>\$24.00</b>	<b>\$22.00</b>
360	215	175	240V @		60A	75	<b>T60A3-*</b>	<b>\$60.00</b>	<b>\$52.00</b>	<b>\$46.00</b>
540	450	360	240V @		90A	100	<b>T90A3-*</b>	<b>\$170.00</b>	<b>\$155.00</b>	<b>\$145.00</b>

Part #	HP 3 Phase			
	208V	240V	480V	600V
<b>3 Pole</b>				
<b>T30A3-*</b>	10	10	15	15
<b>T40A3-*</b>	10	10	20	20
<b>T60A3-*</b>		20	30	30
<b>T90A3-*</b>		30	60	60



Single Pole supplied with Non-Switching Neutral Terminals

1 Pole Standard with Screw Terminal

### 50/60HZ AC Coil Suffix

\* Add to above part #

Part # example: **T30A3-G** =  
30Amp + 24V coil

Voltage	Suffix
24V	<b>-G</b>
120V	<b>-A</b>
208V	<b>-B</b>
240V	<b>-C</b>
277V	<b>-H</b>
480V	<b>-E</b>

### Spare Coil Part #

\* Add coil suffix letter to part #

Part # example: **TA2-G** (24V coil)

Replacement Contactor:	Spare Coil Part #	List \$	Amps
2 pole	TA2-*	\$ 4.00	30+
3 pole	TA3-*	\$ 4.50	40A
3 pole	TA3-60-*	\$12.00	60A
3 pole	TA3-90-*	\$34.00	90A

**Auxiliary Contacts** UL 10 Amp 600V

For use on Contactor	1N.O.+ 1N.C. Auxiliary	List Price

For Auxiliaries Please visit [www.eecontrols.com](http://www.eecontrols.com)  
Contactors > DP Contactors > IEC Style DP

T60A3, T90A3 Factory Installed only.  
Add "AUX-C11" to part # add +\$5.00 list

### 30 Amp only

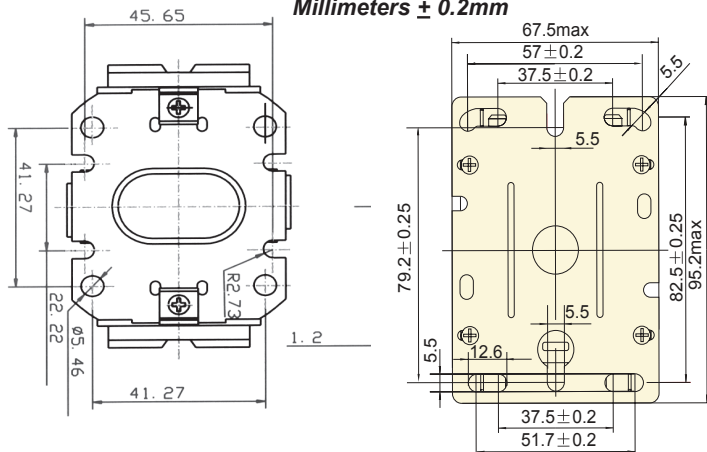
Screw Terminal Option  
Add "-S" to part #

Example: **T30A3-A-S**



### 1, 2 Pole Mounting Plate 3 Pole T30, T40

Millimeters ± 0.2mm



### Contactor Dimensions

Pole	Millimeters			Inches		
	H	W	D	H	W	D
1, 2	86	54	67	3.39	2.19	2.64
3, T30, T40	96	67	73	3.78	2.64	2.87
T60	115	67.5	79	4.53	2.66	3.11
T90	133	89	115	5.24	3.5	4.53