

MAXIMUM POWER RATINGS FOR 1PH AND 3PH MOTORS
50/60 HZ AC3 DUTY

ECC 25	SINGLE PHASE		THREE PHASE			
	115V	230V	200V	230V	480V	600V
	2 HP	3 HP	5 HP	7.5 HP	15 HP	20 HP

AUXILIARY CONTACTS

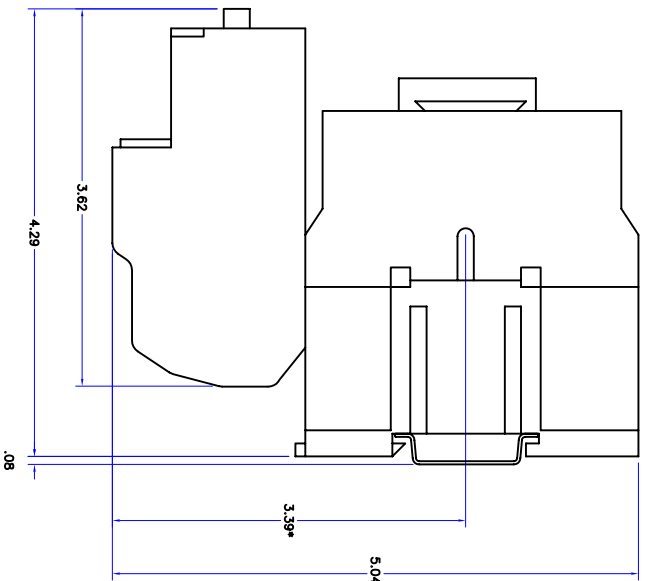
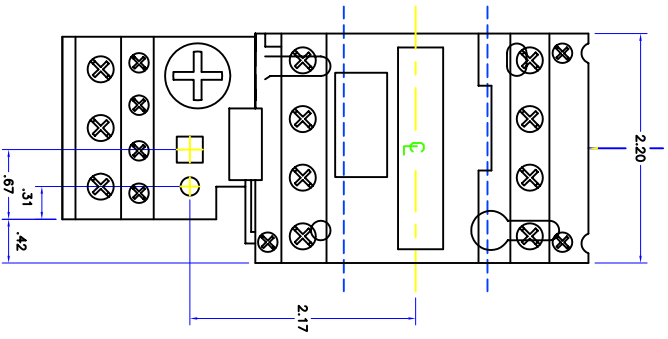
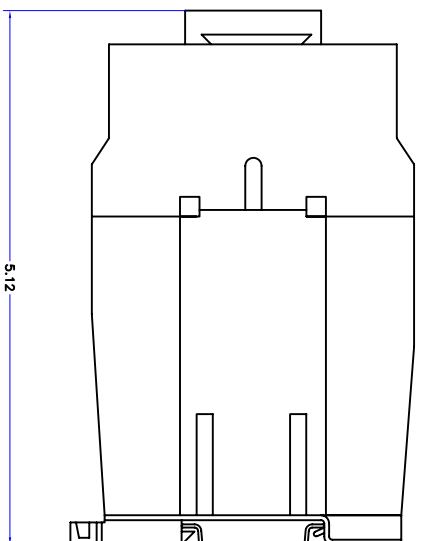
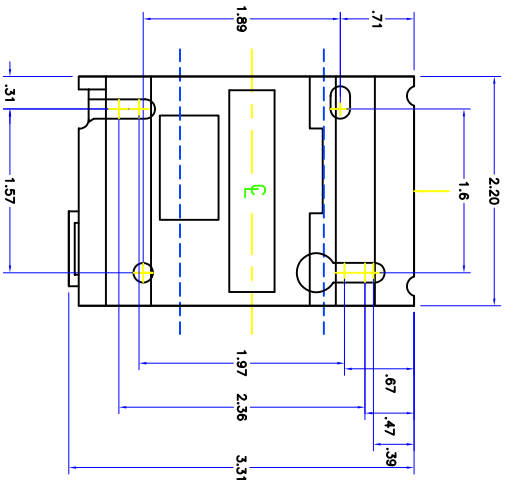
CODE (1)	NO	NC
10	1	-
01	-	1

COIL VOLTAGES FOR ECC 12 TO ECC 400

SUFFIX	VOLTAGE (VAC)	FREQUENCY (HZ)	DC VOLTAGE (VDC)
-A	120	50/60	
-C	208 - 230	60	
-E	480/400	60/50	-DCH = 18VDC
-F	600	60	-DCN = 24VDC
-D	380	50	-DDC = 48VDC
-G	24	50/60	-DCP = 120VDC
-H	277 - 280	60	-DOR = 220VDC
-B	220	50/60	

CLASS 10 OVERLOAD RELAYS

CURRENT SETTING RANGE (AMPS)	CATALOG NUMBER
10-16	ECC 10-16
16-25	ECC 16-25
25-40	ECC 25-40
40-63	ECC 40-63
63-1	ECC 63-1
1-16	ECC 1-16
16-25	ECC 16-25
25-4	ECC 25-4
4-6	ECC 4-6
6-8	ECC 6-8
8-10	ECC 8-10
10-13	ECC 10-13
12-18	ECC 12-18
17-25	ECC 17-25



REV

DESCRIPTION

DATE

APP'D

DRAWN LR

DESCRIPTION



Electrical and Electronic Controls, Inc.
3881 Danbury Rd
Branford, CT 06405, USA
(845) 278-5700 Fax: (845) 278-5444
Email: info@eecontrols.com
www.eecontrols.com

CHECKED TG

Dimension Drawing
TEC 25, ECC 25

APPROVED

DC operated 3/4 pole

Drawing No.

ECC 25-DC

REV.

0

DATE

08/23/07