

MAXIMUM POWER RATINGS FOR 1PH AND 3PH MOTORS
50/60 HZ AC3 DUTY

ECC 32	SINGLE PHASE		THREE PHASE			
	115V	230V	200V	230V	480V	600V
	2 HP	5 HP	10 HP	10 HP	20 HP	25 HP

AUXILIARY CONTACTS

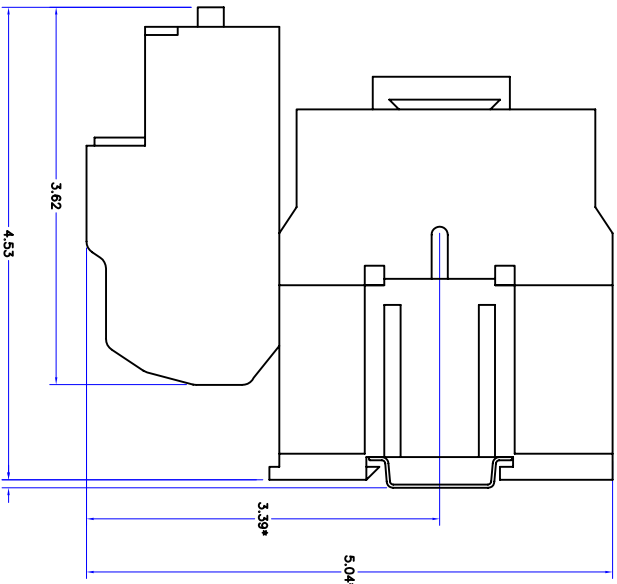
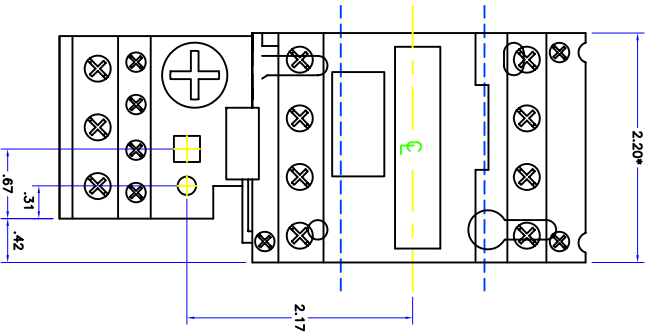
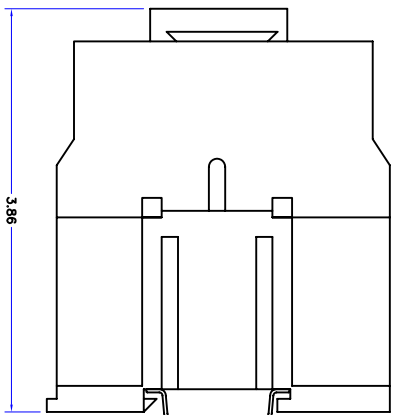
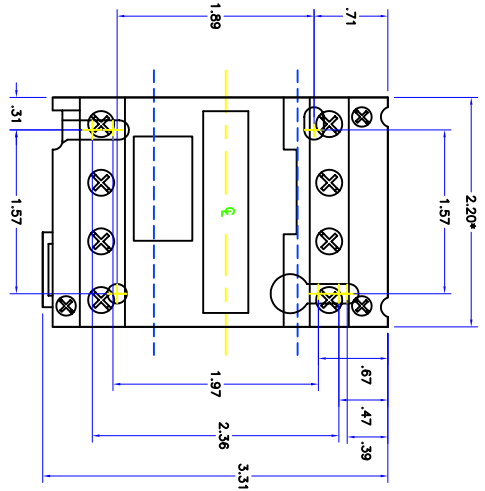
CODE (1)	NO	NC
10	1	-
01	-	1

COIL VOLTAGES FOR ECC 12 TO ECC 400

SUFFIX	VOLTAGE (VAC)	FREQUENCY (Hz)	DC VOLTAGE (VDC)
-A	120	50/60	
-C	208 - 230	60	
-E	480/400	60/50	-DCM = 18VDC
-F	600	60	-DCM = 24VDC
-D	380	50	-DCM = 48VDC
-G	24	50/60	-DCP = 120VDC
-H	277 - 280	60	-DCR = 220VDC
-B	220	50/60	

CLASS 10 OVERLOAD RELAYS

CURRENT SETTING RANGE (AMPS)	CATALOG NUMBER
10-16	ECC 10-16
16-25	ECC 16-25
25-40	ECC 25-40
40-63	ECC 40-63
63-1	ECC 63-1
1-1.6	ECC 1-1.6
1.6-2.5	ECC 1.6-2.5
2.5-4	ECC 2.5-4
4-6	ECC 4-6
6-8	ECC 6-8
8-10	ECC 8-10
10-13	ECC 10-13
12-18	ECC 12-18
17-25	ECC 17-25



Note: Dimension in inches. (in.)
* Add 0.49 for auxiliary contact side mounted

REV	DESCRIPTION	DATE	APP'D	DRAWN	LR	Checked	DATE
						TG	08/23/07

Electrical and Electronic Controls, Inc.



3881 Jankbury Rd
Brea, CA 92615 USA
(949) 278-5700
Fax: (949) 278-5444
Email: info@eecontrols.com
www.eecontrols.com

Dimension Drawing
TEC 32, ECC 32
AC operated 3 pole

Drawing No.
ECC 32-AC

REV.
0