



WARNING

HAZARDOUS VOLTAGE WILL CAUSE DEATH OR SERIOUS INJURY. TO AVOID ELECTRICAL SHOCK OR BURN TURN OFF MAIN AND CONTROL VOLTAGES BEFORE PERFORMING INSTALLATION OR MAINTENANCE

ADVERTENCIA

VOLTAGES PELIGROSOS PUEDEN CAUSAR MUERTE O SERIAS LESIONES. PARA EVITAR SHOCK ELECTRICO O QUEMADURAS DESCONECTAR LOS VOLTAGES DE FUERZA Y CONTROL ANTES DE INSTALACION O MANTENIMIENTO

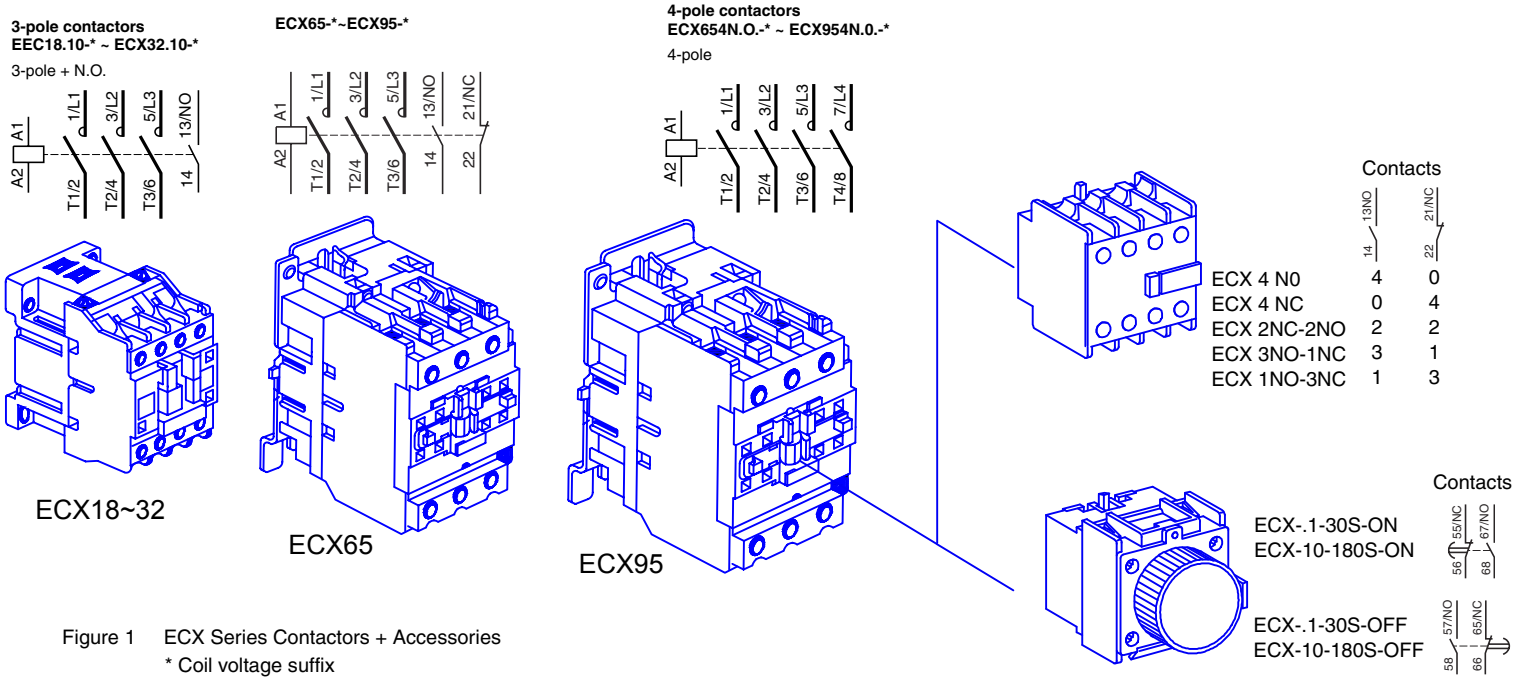


Figure 1 ECX Series Contactors + Accessories
* Coil voltage suffix

Technical Parameters		ECX18	ECX25*	ECX32	ECX65	ECX95
Rated Operational Current (A)	380V	AC-3	18	25	32	65
		AC-4	7.7	7.5	12	28
	660V	AC-3	12	18	21	42
		AC-4	3.8	4.4	7.5	14
Conventional heating current (A)		32	40	50	80	110
Rated insulation voltage(V)		660	660	660	660	660
Power of controlled 3-phase cage motor (AC-3) (kW)	220V	4.0	5.5	7.5	18.5	25
	380V	8	11	15	30	45
Operating frequency (operation/hour)	Electrical Life	AC-3	1200	1200	600	600
	Mechanical Life	AC-4	300	300	300	300
Electrical life (10^3 operations)	AC-3	3600	3600	3600	3600	3600
	AC-4	1,000	1,000	800	600	600
Mechanical life (10^3 operations)	AC-3	200	200	200	150	100
	AC-4	10,000	10,000	8,000	8,000	6,000
Matched fuse		RT16-40	RT16-40	RT16-50	RT16-80	RT16-125
	Piece	1-2	1 2	1 2	1 2	1 2
	Solid wire with cold-pressed socket	4	4 4	4 4	16 16	50 25
	Cabling Solid wire without cold-pressed socket	6	10 6	10 6	25 16	50 35
Hardwire	6	6 6	6 6	25 -	50 -	

Action range Pick-up voltage: 85%~110%Us, releasing voltage: 20%~75%Us

Specifications of coil		ECX18	ECX25*	ECX32	ECX65	ECX95
Coil Power	50Hz	Pick-up (VA)	70	110	110	200
		Holding (VA)	8	11	11	20
	Power(W)	1.8-2.7	3-4	3-4	6-10	6-10

* Available only in 4 pole version

General

Certificates CB, ESC, PCT, UKREST, UL, VDE

Electric Ratings AC 50/60Hz, 660V, 95A

Utilization Category AC-3, AC-4

Standards IEC 60947-4-1, GB14048.4

Operating Conditions

Temperature (celsius) -5C ~ +40C; the average value should not exceed 35C

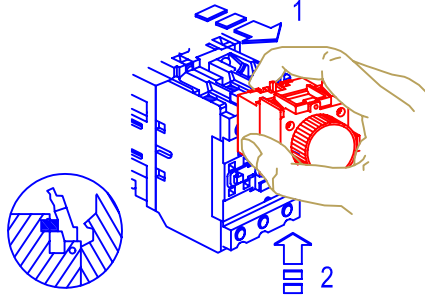
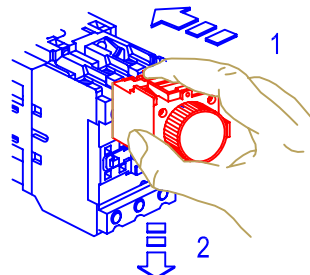
Altitude not to exceed 2000m

Pollution Grade Grade III

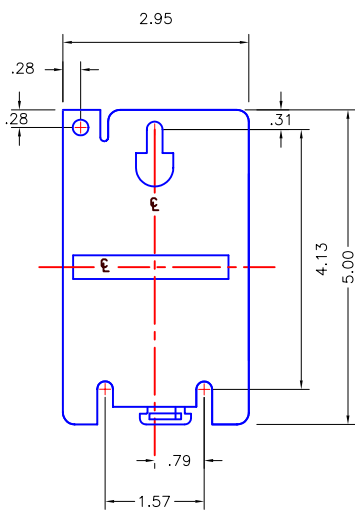
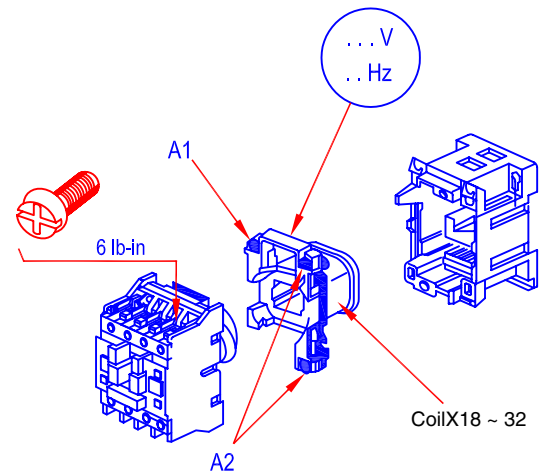
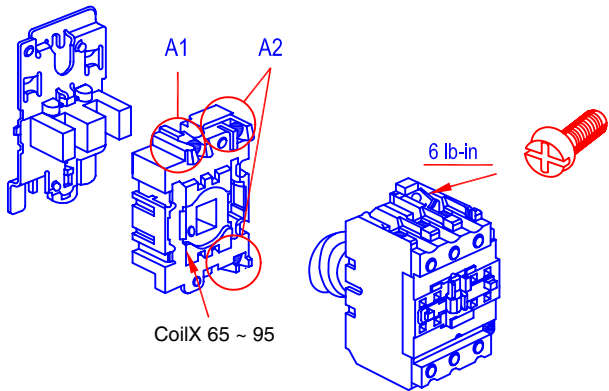
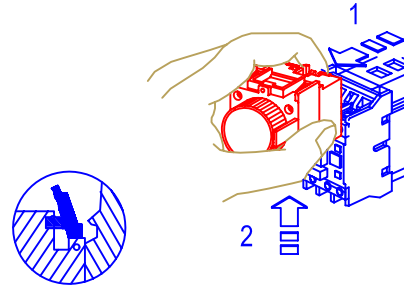
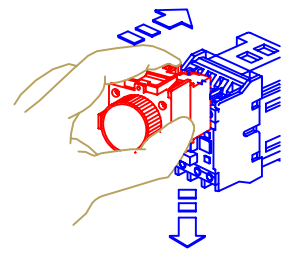
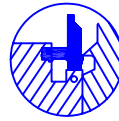
Air Conditions RH not to exceed 50% @ +40C

Mounting Conditions +/- 5 degrees from vertical plane

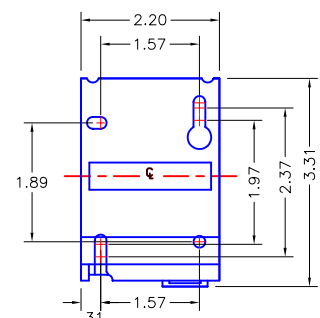
TIMER ON/OFF
AUX block



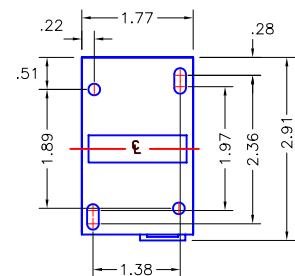
TIMER ON/OFF
AUX block



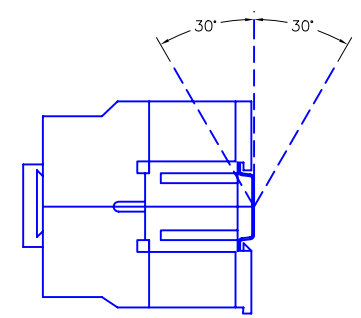
ECX65-ECX95



ECX32



ECX18



Operating Position

Figure 2 Mounting Timer, Auxiliary contact block, coil replacement and mounting dimensions

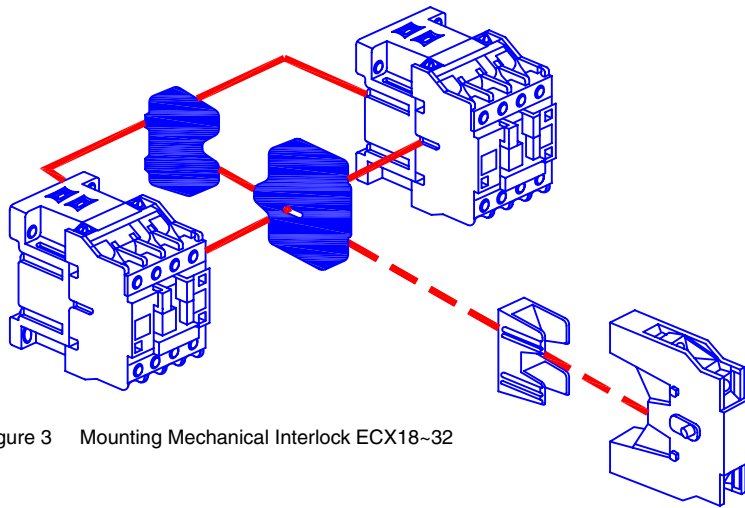


Figure 3 Mounting Mechanical Interlock ECX18~32

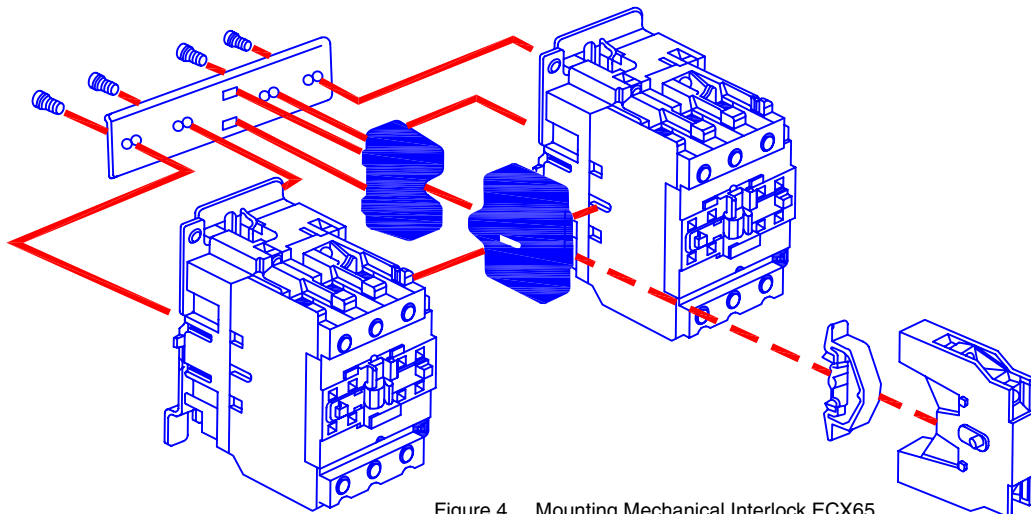


Figure 4 Mounting Mechanical Interlock ECX65

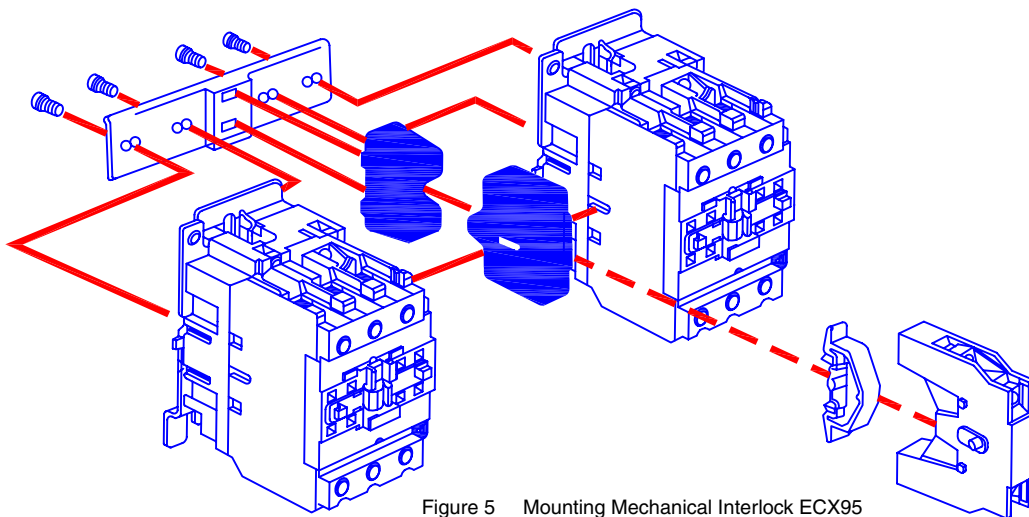


Figure 5 Mounting Mechanical Interlock ECX95

Note: Electrical equipment should be serviced only by qualified electrical maintenance personnel. Although reasonable accuracy has been taken to prepare this document, it should not be viewed as the only information needed to perform any specific service. EE Controls assumes no responsibility for any consequences resulted from the use of this material. Material subject to EE Controls Terms and Conditions of Sale.