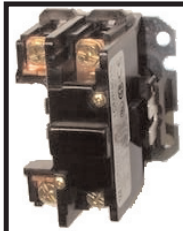




DEFINITE PURPOSE CONTACTORS 100A Max

Locked Rotor (Per Pole)			HP Single Phase		Full Load	Resistive	UL Part #	List Price	List Price	List Price
AC 240V AC 277V	AC 480V	AC 600V	120V	240V	Amps	Amps	*Add coil suffix	1-10 pcs	11-99 pcs	100+ pcs
1 Pole:							1 Pole			
150	75	50	1	2	30	40	T30A1-*	\$17.00	\$15.00	\$12.00
240	200	160	2	3	40	50	T40A1-*	\$18.00	\$16.00	\$13.00
2 Pole:							2 Pole:			
150	125	100	2	3	30	40	T30A2-*	\$18.00	\$16.00	\$13.50
240	200	150	2	3	40	50	T40A2-*	\$19.00	\$17.00	\$14.50
3 Pole:							3 Pole:			
180	150	120	2	5	30	40	T30A3-*	\$24.00	\$22.00	\$18.00
240	200	160	3	7.5	40	50	T40A3-*	\$24.00	\$22.00	\$20.00
360	215	175	240V @ 60A			75	T60A3-*	\$60.00	\$52.00	\$46.00
540	450	360	240V @ 90A			100	T90A3-*	\$170.00	\$155.00	\$145.00

Part #	HP 3 Phase			
	208V	240V	480V	600V
3 Pole				
T30A3-*	10	10	15	20
T40A3-*	10	10	20	25
T60A3-*		20	30	30
T90A3-*		30	60	60



Single Pole supplied with Non-Switching Neutral Terminals

1 Pole Standard with Screw Terminal

60HZ AC Coil Suffix

*** Add to above part #**

Part # example: **T30A3-G** =
30Amp + 24V coil

Voltage *Suffix

24V **-G**
 120V **-A**
 208V **-B**
 240V **-C**
 277V **-H**
 480V **-E**

Spare Coil Part

*** Add coil suffix letter to part #**

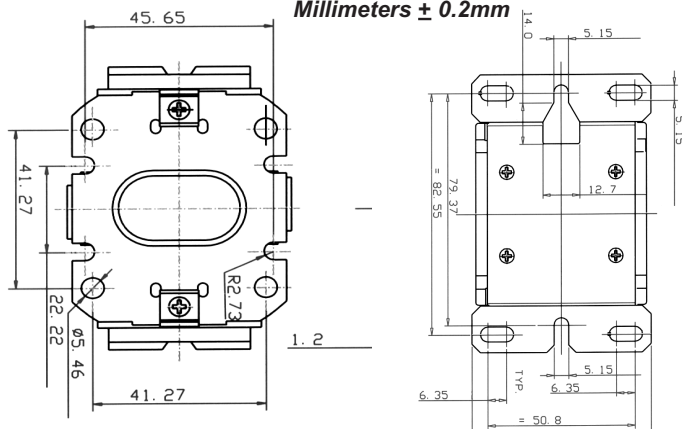
Part # example: **TA2-G** (24V coil)

Replacement Contactor:	Spare Coil Part #	List \$	Amps
2 pole	TA2-*	\$ 4.00	30+
3 pole	TA3-*	\$ 4.50	40A
3 pole	TA3-60-*	\$12.00	60A
3 pole	TA3-90-*	\$34.00	90A

Auxiliary Contacts			
For use on Contactor	1N.O.+ 1N.C. Auxiliary	List Price	UL
T30A3, T40A3	Aux 11	\$ 5.00	10A 600V
T60, T90	Aux-c11	\$ 5.00	UL Expected 2007

1, 2 Pole **Mounting Plate** 3 Pole T30, T40

Millimeters ± 0.2mm



30 Amp only

Screw Terminal Option
 Add "-S" to part #
 Example: **T30A3-A-S**



Contactor Dimensions

Pole	Millimeters			Inches		
	H	W	D	H	W	D
1, 2	86	54	67	3.39	2.19	2.64
3, T30, T40	96	59	68	3.78	2.32	2.68
T60	115	67.5	79	4.53	2.66	3.11
T90	133	89	115	5.24	3.5	4.53