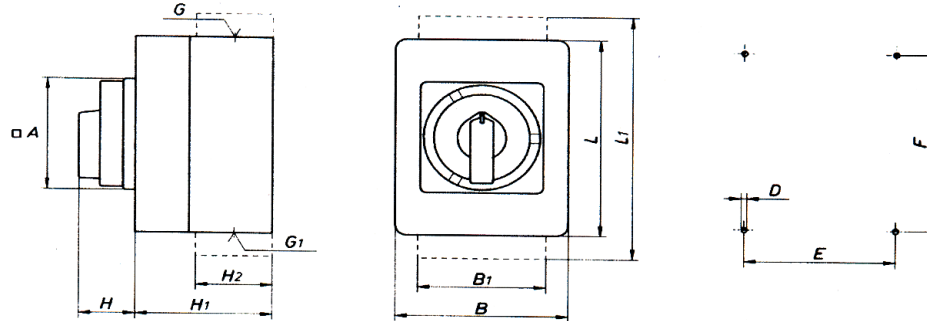


SERIES D1 (Enclosed Type)



Enclosure Dimensions for sizes: D1, V2N, V3N

Enclosure/Type	Max Poles	B	L	HI	A	H	E	F	D	G & GI
G32 (Metal)	6 poles max	91mm 3.58"	97mm 3.82"	72mm 2.83"	43mm 1.69"	26mm 1.02"	79mm 3.11"	83mm 3.27"	5.5mm .22"	2 x 23mm 2 x 2.09" Hole Size
T24 (Non-Metal) Standard Compact	6 poles max	82mm 3.22"	82mm 3.22"	67mm 2.63"	65mm 2.56"	34mm 1.33"	68mm 2.67"	68mm 2.67"	4.5mm .17"	2 x PG16* 2 x 0.84" Hole Size
T25 (Non-Metal) Standard	8 poles max	82mm 3.22"	82mm 3.22"	93mm 3.66"	65mm 2.56"	34mm 1.33"	68mm 2.67"	68mm 2.67"	4.5mm .17"	2 x PG16* 2 x 0.84" Hole Size
T8/1 (Non-Metal)	6 poles max	91mm 3.58"	121mm 4.75"	75mm 2.94"	72mm 2.83"	34mm 1.33"	76mm 2.98"	106mm 4.16"	4.5mm .17"	2 x PG16* 2 x 0.84" Hole Size

Each D1, V2N, V3N chamber section contains 2 poles.

*accepts 7/8" cord grip

LEGEND PLATE TYPE SI MARKING

Standard markings

Identification	Suffix
OFF ON	-N
HAND OFF AUTO	-K
FOR OFF REV	-I
UP OFF DOWN	-J
MANUAL AUTO	-L
HIGH OFF LOW	-P
NORMAL-OFF-BYPASS	-Q

Check with factory for additional standard markings.

▲ Type Number of switch must be identified.
(for VN Switch or for D switch)

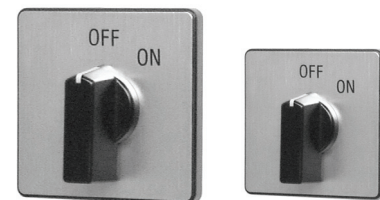
Special Marking Legend add: \$6.80 List

PLATE S

Silver with Engraved Black Letters

FACE SIZE	DIMENSIONS
1	1 7/8" x 1 7/8" (48mm)
2	2 1/2" x 2 1/2" (65mm)
3	2 7/8" x 2 7/8" (72mm)
4	3.8" x 3.8" (96mm)
5	4.9" x 4.9" (125mm)

Face size 1 is standard S size on D1 and V2N switches.



Type S plate (silver)
Face Size 3 and 1 for VN

	Disconnect Inscription Plate		List Price			
	Fits above Type BE, BY, D, SI Operator/Plates	Catalog#	48 x 16mm (1.9"x0.6")	65 x 16mm (2.5"x0.8")		
Main Switch	Brush Silver with black letters	ED-NP-	-S1	\$8	-S2	\$9
	Yellow with black letters	ED-NP-	-Y1	\$8	-Y2	\$9
Main Switch	Black with white letters	ED-NP-	-B1	\$8	-B2	\$9

MAIN SWITCH

Standard marking add suffix:
Main switch (-MS) or
Emergency Off (-EO)

For special marking add \$6.80 List
Example: #ED-NP-S1