

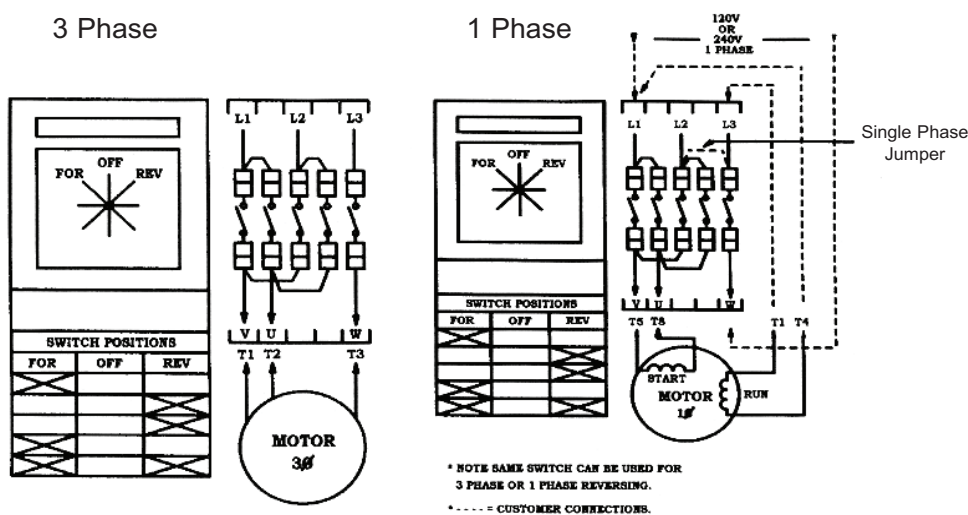
REVERSING Spring Return to Center (FOR-OFF-REV) 3 Phase

Amps	Max Horse Power					No. of Chambers	Catalog No.	-Suffix			
	1 phase ▲ 120 V 240V		3 phase ▲ 230V 480V 600V					Open -FS List	Enclosed -S4 List	-4X List	Enclosed -M65 List
25	1	2	5	7.5	7.5		See Series D1	\$69	\$108 (1)	-	\$133 (4)
25	1.5	2	5	10	10	3	E V2N- 3WR2 B1-	\$92	\$114(1)	\$139 (3)	\$151 (4)
35	2	3	7.5	15	20	3	E V3N- 3WR2 B3-	\$114	\$160 (2)	\$164 (3)	\$223 (4)
50	3	7.5	10	25	20	3	E VN32- 3WR2 B3-	\$209	\$331 (2)	\$383 (3)	\$401 (4)
60	5	10	20	40	30	3	E VN50- 3WR2 B4-	\$264	\$383 (2)	\$438 (3)	\$456 (5)

CAM SWITCHES TO 1200 AMPS

SPRING RETURN from left side only to center is available. In catalog number, replace "WR2" with "WR1"

REVERSING WIRING DIAGRAM



Note: K1, L Type for V2N & V3N only

Handle Options for Reversing Motor Switches
 Type VN Operators have "B" handle design as standard. Reversing Units can be supplied with optional handle styles:
 "K1" Metal Ball Handle Design add \$4 list or
 "L" Plastic Handle Design add \$4 list
 LR-Red, LB-Black

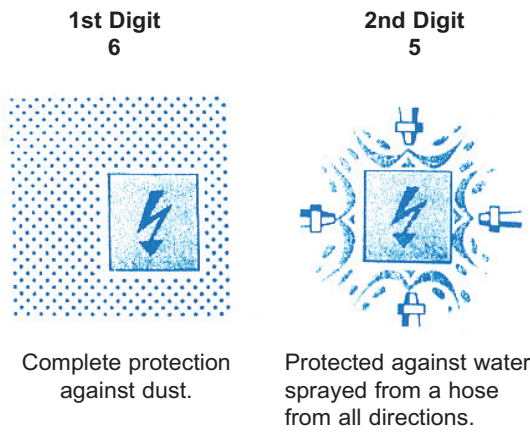
ENCLOSURES IP65

NEMA / IP65

IP65 is for Industrial and Outdoor Applications and is capable of hose test water tightness.

IP65 is used internationally for similar applications as NEMA 4, or 4X.

IP55 Protected against dust. (No harmful deposit) and against water sprayed from a hose from all directions.



(See IP standard for exact specifications)