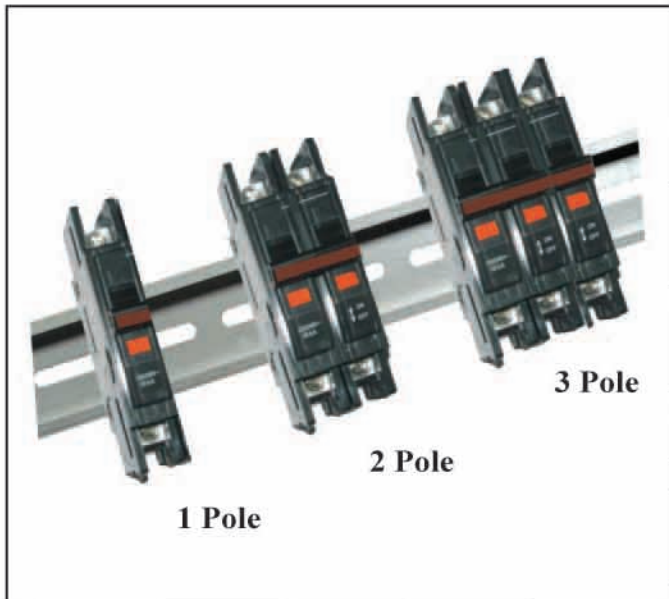


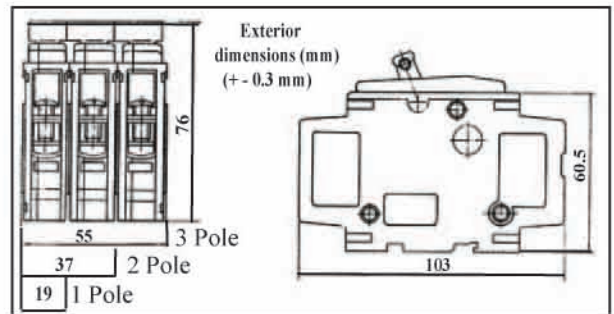
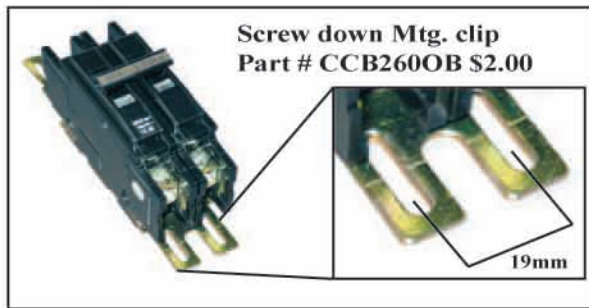
# UL 489 Mini Breakers

## Type # CC B260

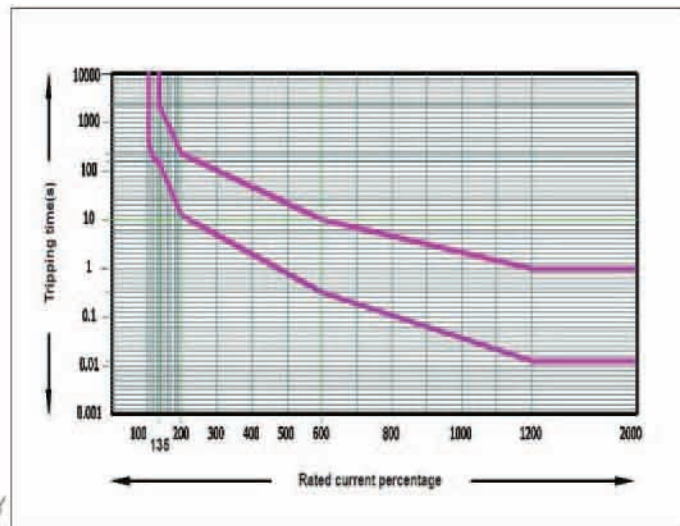


<b>TRIPPING CHARACTERISTICS</b>	<b>UL489 - 7.1.2.2.1</b> TRIPPING AT 200% RATED CURRENT. 0 - 30A ≤ 2 mins. 31 - 50A ≤ 4 mins. 51 - 100A ≤ 6 mins. <b>*Interruption Capacity 10kA</b>
<b>OVERLOAD TRIPPING</b>	<b>UL489 - 7.1.3.2</b> 15A - 20A ≥ 150A TRIPPING 25A - 60A ≥ 600% RATED CURRENT
<b>LIFE SPAN</b>	(ELECTRICAL ENDURANCE ≥ 6000, MECHANICAL ENDURANCE ≥ 4000)
<b>MOUNTING</b>	1. DIN RAIL(35mm) 2. Screw Down Clip Option
<b>CONNECTION</b>	WIRE-IN screw terminal
<b>At Above Specifications Temperature</b>	-23°F to 104°F
<b>Pole Version:</b>	1,2,3P, 2P + Neutral
<b>Rated voltage:</b>	120/240VAC
<b>Wire Range:</b>	24 - 4 AWG - Copper ONLY
<b>Standard:</b>	UL standard - UL 489 - 1, 2 Pole only

• **UL 489** • **10KA** • **DIN Rail Mtg.**  
**Screw Down Mtg option**



Add Suffix Amp	1 Pole	2 Pole	3 Pole
	<b>CCB260-1P-*</b>	<b>CCB260-2P-*</b>	<b>CCB260-3P-*</b> (3 Pole not UL)
- 10A	\$16.00	\$54.00	\$75.00
- 15A	\$16.00	\$54.00	\$75.00
- 20A	\$16.00	\$54.00	\$75.00
- 25A	\$16.00	\$54.00	\$75.00
- 30A	\$16.00	\$54.00	\$75.00
- 40A	\$16.00	\$54.00	\$75.00
- 50A	\$20.00	\$54.00	\$85.00
- 60A	\$20.00	\$54.00	\$85.00



**2 Pole + Neutral** same price as 3 pole, Part # **CCB260-2P-N-\***  
**Part # Example:** CCB260-3P-60A = 60Amp 3pole 10kA Circuit Breaker.